

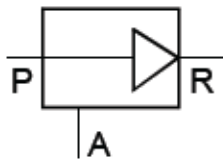
진공이젝터 Vacuum Ejector (진공발생기/진공펌프)
시리즈 CV

◆ How to Order
CV - 10
Port size

05	1/8	10	1/8
15	1/4	20	3/8

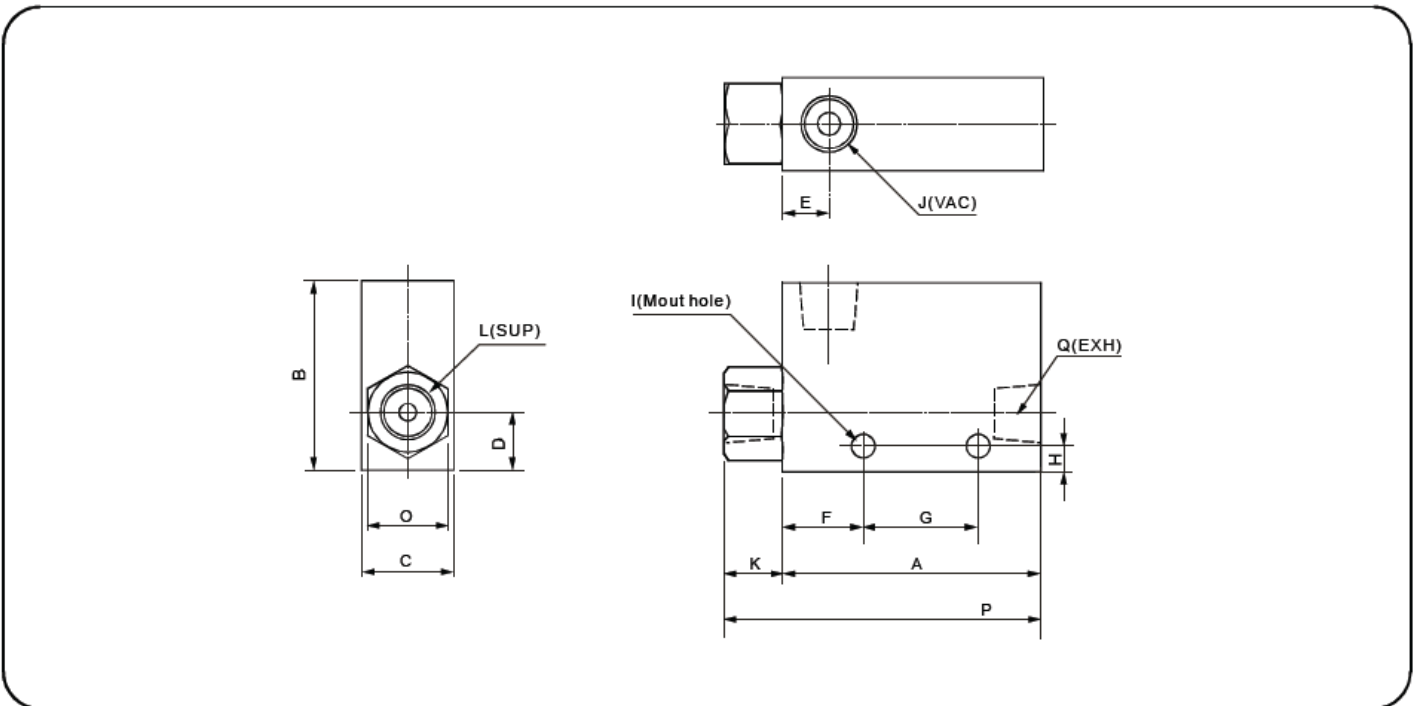
Model

CV Series	Vacuum Ejector
------------------	----------------

Symbol

◆ Specifications

Model	CV-05	CV-10	CV-15	CV-20
Fluid	Air			
Port size	Rc1/8	Rc1/8	Rc1/4	Rc3/8
Nozzle dia.	0.5mm	1.0mm	1.5mm	2.0mm
Standard supply pressure	0.5MPa			
Ambient and fluid temperature	0~60°C (No freezing)			
Max. Vacuum pressure(kPa)	-86.7kPa	-91.8kPa		

*Supply pressure: 0.45MPa

◆ Dimensions


Model	A	B	C	D	E	F	G	H	I	J	K	L	O	P	Q
CV-05	45	33	16	10	8	14	20	4.5	2-Φ4.2	Rc1/8	10	Rc1/8	14	55	Rc1/8
CV-10	45	33	16	10	8	14	20	4.5	2-Φ4.2	Rc1/8	10	Rc1/8	14	55	Rc1/8
CV-15	63	35	20	11	10	20	25	5	2-Φ4.5	Rc1/4	15	Rc1/4	17	78	Rc1/4
CV-20	85	40	30	15	13	28	32	7	2-Φ6	Rc3/8	20	Rc1/4	24	105	Rc1/2

진공이젝터 Vacuum Ejector (진공발생기/진공펌프)

시리즈 ZU (In-Line type)

◆ How to Order

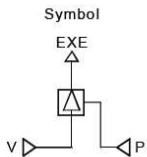
 ZU **05** **S**


Maximum vacuum pressure

S	-85 kpa
L	-48 kpa

Nozzle diameter

05	0.5mm
07	0.7mm



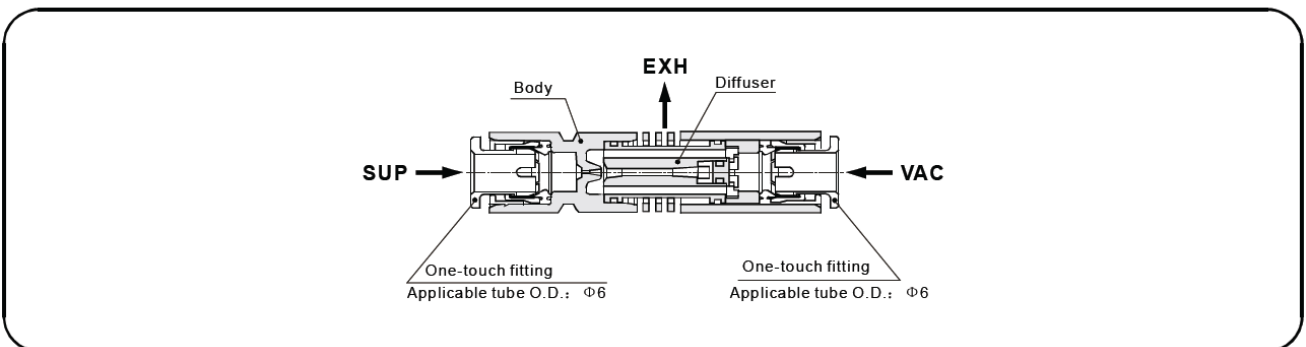
◆ Specifications

Fluid	Air
Maximum operating pressure	0.7Mpa
Standard supply pressure	0.45Mpa
Operating temperature range	5 to 60°C
Applicable tubing O.D	SUP potr: Φ6 VAC: Φ6

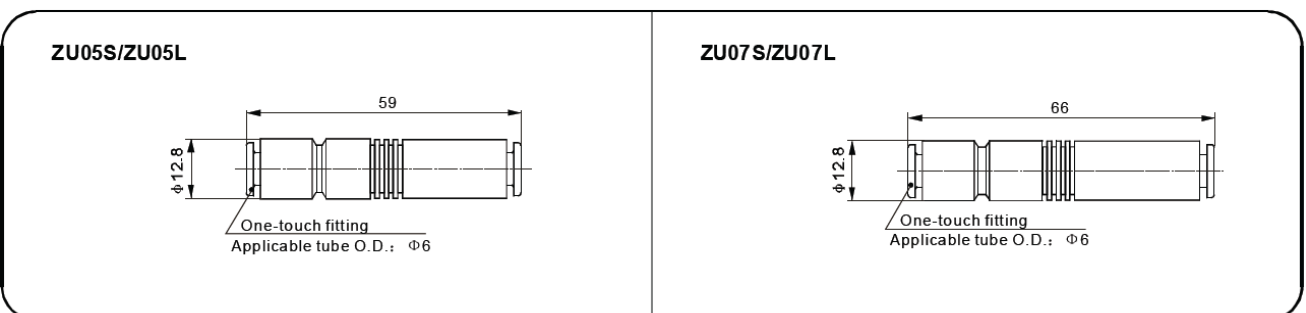
Type	Model	Nozzle diameter (mm)Φ	Max. vacuum pressure*(kpa)	Maximum suction flow rate(L/min(ANR))	Air consumption (L/min(ANR))	Weight(g)
High vacuum type	ZU05S	0.5	-85	7	9.5	6.5
	ZU07S	0.7	-85	12	19.0	7.0
Large flow type	ZU05L	0.5	-48	12	9.5	6.5
	ZU07L	0.7	-48	21	19.0	7.0

*Supply pressure: 0.45MPa

◆ Construction



◆ Dimensions



진공이젝터 Vacuum Ejector (진공발생기/진공펌프)

시리즈 ZH (Box type / Body ported type)

◆ How to Order
Box type
 (Built-in silencer)

 ZH **07** B **S** - **06** - **06**
Body ported type
 (without silencer)

 ZH **07** D **S** - **01** - **01** - **01**
EXH. Port size Note)

Symbol	Size	Style
06	Φ6	One-touch
08	Φ8	One-touch
10	Φ10	One-touch
01	Rc1/8	Screw-in
02	Rc1/4	Screw-in

VAC. Port size Note)

Symbol	Size	Style
06	Φ6	One-touch
10	Φ10	One-touch
01	Rc1/8	Screw-in
02	Rc1/4	Screw-in

SUP. Port size Note)

Symbol	Size	Style
06	Φ6	One-touch
08	Φ8	One-touch
01	Rc1/8	Screw-in

Maximum vacuum pressure

S	-88 kpa
L	-48 kpa

Nozzle diameter

05	0.5mm Φ
07	0.7mm Φ
10	10mm Φ
13	1.3mm Φ

Note): Refer to "table (1)" and "(2)" for the combination available for SUP, VAC and EXH port connection.

Table(1) combination of connection

Body type		SUP	VAC	EXH
Box type (built-in silencer)	1	One-touch	One-touch	-
	2	One-touch	Screw-in	-
	3	Screw-in	Screw-in	-
Box ported type (without silencer)	1	One-touch	One-touch	One-touch
	2	One-touch	Screw-in	One-touch
	3	Screw-in	Screw-in	Screw-in

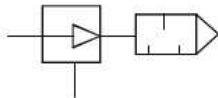
Table(2) port size

Model	Connection(one-touch/screw-in)		
	SUP	VAC	EXH
ZH05B	Φ6 / Rc1/8	Φ6 / Rc1/8	-
ZH07B	Φ6 / Rc1/8	Φ6 / Rc1/8	-
ZH10B	Φ6 / Rc1/8	Φ6 / Rc1/8	-
ZH13B	Φ8 / Rc1/8	Φ10 / Rc1/4	-
ZH05D	Φ6 / Rc1/8	Φ6 / Rc1/8	Φ6 / Rc1/8
ZH07D	Φ6 / Rc1/8	Φ6 / Rc1/8	Φ6 / Rc1/8
ZH10D	Φ6 / Rc1/8	Φ6 / Rc1/8	Φ8 / Rc1/8
ZH13D	Φ8 / Rc1/8	Φ10 / Rc1/4	Φ10 / Rc1/4



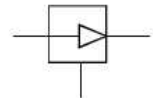
Box type: B
(Built-in silencer)

Symbol



Body ported type: D
(Without silencer)

Symbol

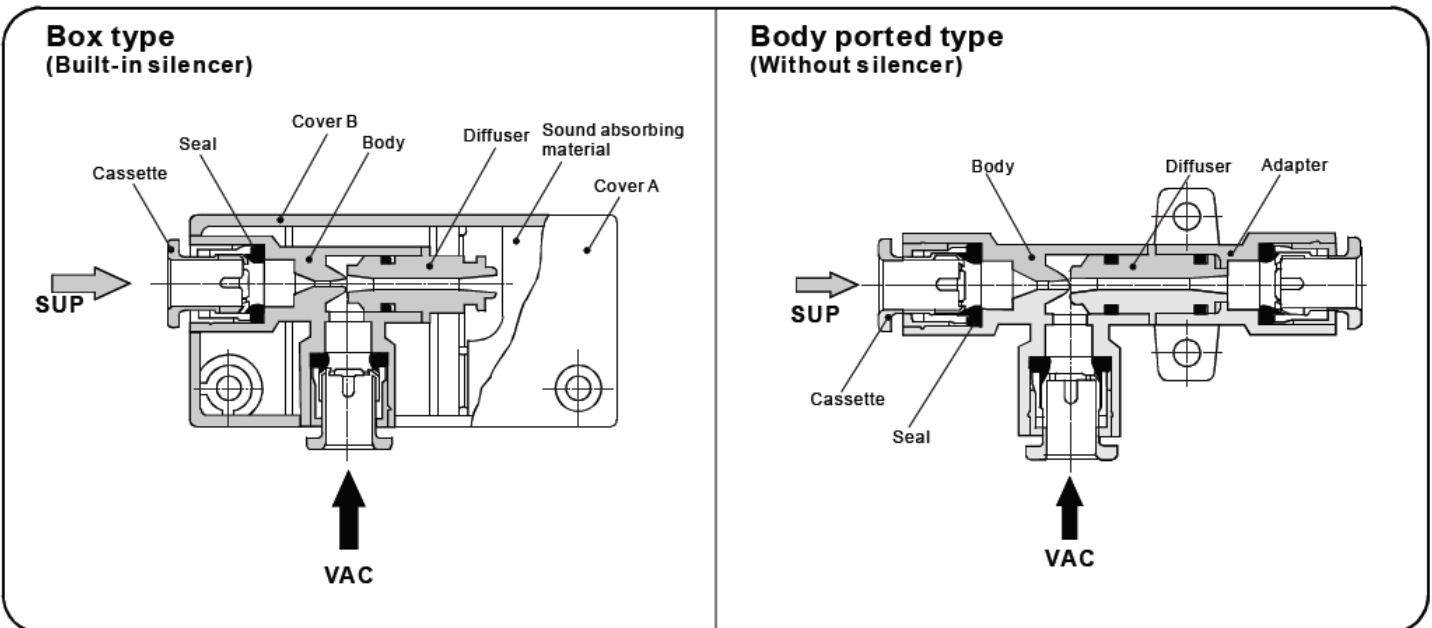


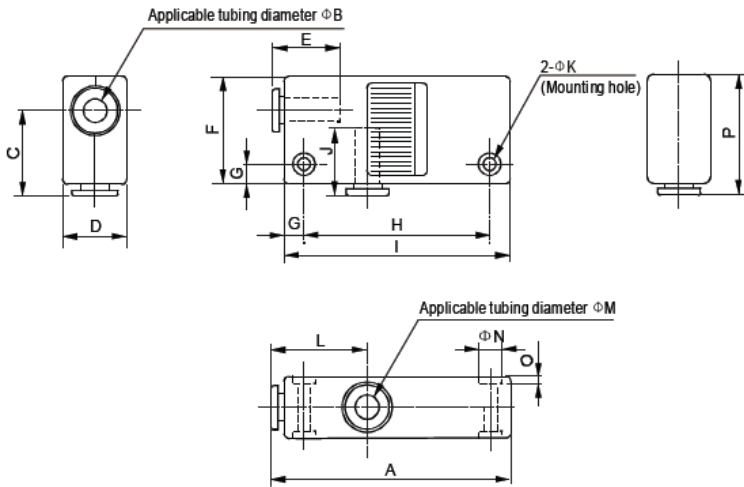
◆ Model

Model	Nozzle diameter (mm)	Body type	Max. Vacuum pressure* (kpa)		Maximum suction flow rate (min(ANR))		Air consumption (min(ANR))	Connection (one-touch / screw-in)			Weight (g)
			Type S	Type L	Type S	Type L		Type S / Type L	SUP	VAC	
ZH05B	0.5	Box type (Built-in silencer)	-88	-48	5	8	13	Φ6 / Rc1/8	Φ6 / Rc1/8	-	28
ZH07B	0.7		-88	-48	12	20	23	Φ6 / Rc1/8	Φ6 / Rc1/8	-	28
ZH10B	1.0		-88	-48	24	34	46	Φ6 / Rc1/8	Φ6 / Rc1/8	-	33
ZH13B	1.3		-88	-48	40	70	78	Φ8 / Rc1/8	Φ10 / Rc1/4	-	66
ZH05D	0.5	Body ported type (Without silencer)	-88	-48	5	8	13	Φ6 / Rc1/8	Φ6 / Rc1/8	Φ6 / Rc1/8	11
ZH07D	0.7		-88	-48	12	20	23	Φ6 / Rc1/8	Φ6 / Rc1/8	Φ6 / Rc1/8	12
ZH10D	1.0		-88	-48	24	34	46	Φ6 / Rc1/8	Φ6 / Rc1/8	Φ8 / Rc1/8	16
ZH13D	1.3		-88	-48	40	70	78	Φ8 / Rc1/8	Φ10 / Rc1/4	Φ10 / Rc1/4	27

*Supply pressure: 0.45MPa.

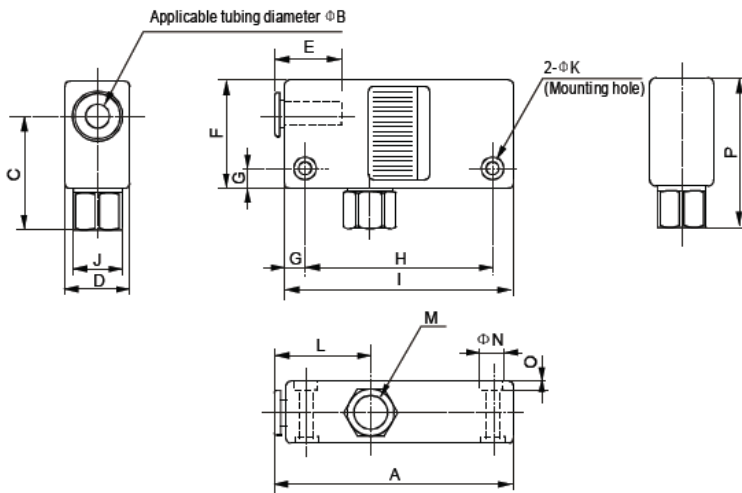
◆ Construction



◆ Dimensions(Box type ,built-in silencer: ZH□B^S-□-□)
One-touch connection


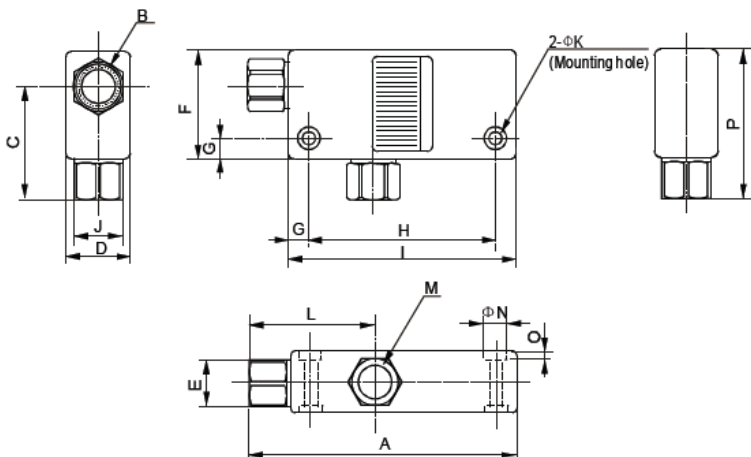
Model	A	ΦB	C	D	E	F	G	H
ZH05BS-06-06	60	6	22	16	12.8	28	5	47
ZH05BL-06-06	60	6	22	16	12.8	28	5	47
ZH07BS-06-06	60	6	22	16	12.8	28	5	47
ZH07BL-06-06	60	6	22	16	12.8	28	5	47
ZH10BS-06-06	63	6	23	18	12.8	29	5	50
ZH10BL-06-06	63	6	23	18	12.8	29	5	50
ZH13BS-08-10	78	8	27.5	23	13.7	35	7	61
ZH13BL-08-10	78	8	27.5	23	13.7	35	7	61

Model	I	J	ΦK	L	ΦM	ΦN	O	P
ZH05BS-06-06	57	12.8	3.2	24	6	5.8	2	31
ZH05BL-06-06	57	12.8	3.2	24	6	5.8	2	31
ZH07BS-06-06	57	12.8	3.2	24	6	5.8	2	31
ZH07BL-06-06	57	12.8	3.2	24	6	5.8	2	31
ZH10BS-06-06	60	12.8	3.2	26	6	5.8	2	32
ZH10BL-06-06	60	12.8	3.2	26	6	5.8	2	32
ZH13BS-08-10	75	15.3	4.2	28	10	7.5	3	38.5
ZH13BL-08-10	75	15.3	4.2	28	10	7.5	3	38.5

One-touch and screw-in connection


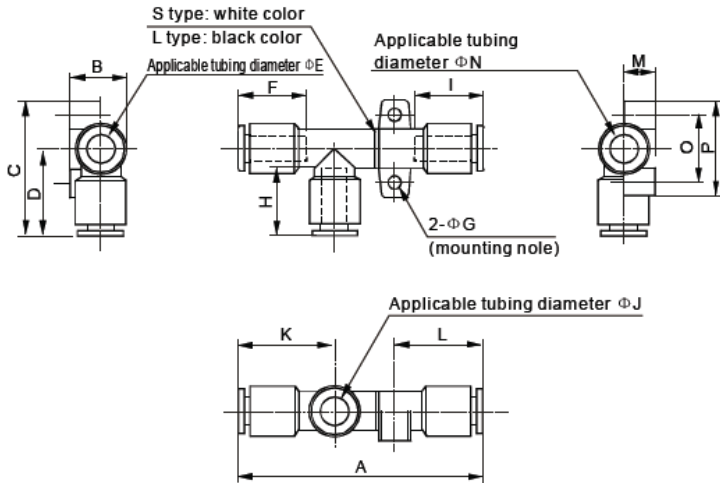
Model	A	ΦB	C	D	E	F	G	H
ZH05BS-06-01	60	6	29.5	16	12.8	28	5	47
ZH05BL-06-01	60	6	29.5	16	12.8	28	5	47
ZH07BS-06-01	60	6	29.5	16	12.8	28	5	47
ZH07BL-06-01	60	6	29.5	16	12.8	28	5	47
ZH10BS-06-01	63	6	30.5	18	12.8	29	5	50
ZH10BL-06-01	63	6	30.5	18	12.8	29	5	50
ZH13BS-08-02	78	8	39	23	13.7	35	7	61
ZH13BL-08-02	78	8	39	23	13.7	35	7	61

Model	I	J	ΦK	L	M	ΦN	O	P
ZH05BS-06-01	57	12	3.2	24	Rc1/8	5.8	2	38.5
ZH05BL-06-01	57	12	3.2	24	Rc1/8	5.8	2	38.5
ZH07BS-06-01	57	12	3.2	24	Rc1/8	5.8	2	38.5
ZH07BL-06-01	57	12	3.2	24	Rc1/8	5.8	2	38.5
ZH10BS-06-01	60	12	3.2	26	Rc1/8	5.8	2	39.5
ZH10BL-06-01	60	12	3.2	26	Rc1/8	5.8	2	39.5
ZH13BS-08-02	75	17	4.2	28	Rc1/4	7.5	3	50
ZH13BL-08-02	75	17	4.2	28	Rc1/4	7.5	3	50

Screw-in connection


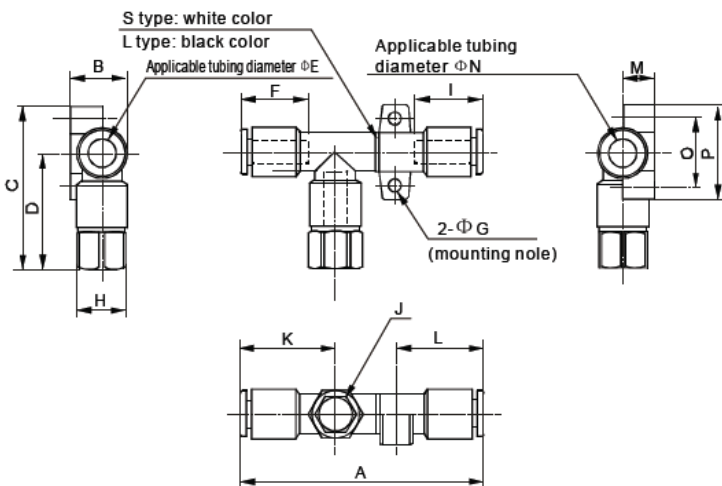
Model	A	B	C	D	E	F	G	H
ZH05BS-01-01	67.5	Rc1/8	29.5	16	12	28	5	47
ZH05BL-01-01	67.5	Rc1/8	29.5	16	12	28	5	47
ZH07BS-01-01	67.5	Rc1/8	29.5	16	12	28	5	47
ZH07BL-01-01	67.5	Rc1/8	29.5	16	12	28	5	47
ZH10BS-01-01	70.5	Rc1/8	30.5	18	12	29	5	50
ZH10BL-01-01	70.5	Rc1/8	30.5	18	12	29	5	50
ZH13BS-01-02	86.5	Rc1/8	39	23	14	35	7	61
ZH13BL-01-02	86.5	Rc1/8	39	23	14	35	7	61

Model	I	J	ΦK	L	M	ΦN	O	P
ZH05BS-01-01	57	12	3.2	31.5	Rc1/8	5.8	2	38.5
ZH05BL-01-01	57	12	3.2	31.5	Rc1/8	5.8	2	38.5
ZH07BS-01-01	57	12	3.2	31.5	Rc1/8	5.8	2	38.5
ZH07BL-01-01	57	12	3.2	31.5	Rc1/8	5.8	2	38.5
ZH10BS-01-01	60	12	3.2	33.5	Rc1/8	5.8	2	39.5
ZH10BL-01-01	60	12	3.2	33.5	Rc1/8	5.8	2	39.5
ZH13BS-01-02	75	17	4.2	36.5	Rc1/4	7.5	3	50
ZH13BL-01-02	75	17	4.2	36.5	Rc1/4	7.5	3	50

◆ Dimensions (Body ported type, without silencer: ZH□D_L^S-□-□-□)
One-touch connection


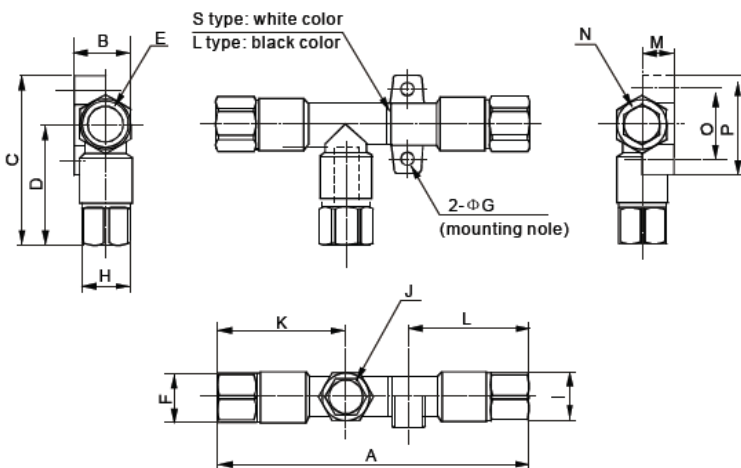
Model	A	B	C	D	φE	F	φG	H
ZH05DS-06-06-06	58.5	14.2	34	22	6	12.8	3.2	12.8
ZH05DL-06-06-06	58.5	14.2	34	22	6	12.8	3.2	12.8
ZH07DS-06-06-06	61	14.2	34	22	6	12.8	3.2	12.8
ZH07DL-06-06-06	61	14.2	34	22	6	12.8	3.2	12.8
ZH10DS-06-06-08	66	17.2	37	23	6	12.8	4.2	12.8
ZH10DL-06-06-08	70	17.2	37	23	6	12.8	4.2	12.8
ZH13DS-08-10-10	74.5	20	42.5	27.5	8	13.7	4.2	15.3
ZH13DL-08-10-10	79.5	20	42.5	27.5	8	13.7	4.2	15.3

Model	I	φJ	K	L	M	φN	O	P
ZH05DS-06-06-06	12.8	6	24	21	7.8	6	17	24
ZH05DL-06-06-06	12.8	6	24	21	7.8	6	17	24
ZH07DS-06-06-06	12.8	6	24	22	7.8	6	17	24
ZH07DL-06-06-06	12.8	6	24	22	7.8	6	17	24
ZH10DS-06-06-08	13.7	6	26	24.5	9.6	8	20	28
ZH10DL-06-06-08	13.7	6	26	24.5	9.6	8	20	28
ZH13DS-08-10-10	15.3	10	28	27	10.7	10	22	30
ZH13DL-08-10-10	15.3	10	28	27	10.7	10	22	30

One-touch and screw-in connection


Model	A	B	C	D	φE	F	φG	H
ZH05DS-06-01-06	58.5	14.2	41.5	29.5	6	12.8	3.2	12
ZH05DL-06-01-06	58.5	14.2	41.5	29.5	6	12.8	3.2	12
ZH07DS-06-01-06	61	14.2	41.5	29.5	6	12.8	3.2	12
ZH07DL-06-01-06	61	14.2	41.5	29.5	6	12.8	3.2	12
ZH10DS-06-01-08	66	17.2	44.5	30.5	6	12.8	4.2	12
ZH10DL-06-01-08	70	17.2	44.5	30.5	6	12.8	4.2	12
ZH13DS-08-02-10	74.5	19.95	54	39	8	13.7	4.2	17
ZH13DL-08-02-10	79.5	19.95	54	39	8	13.7	4.2	17

Model	I	J	K	L	M	φN	O	P
ZH05DS-06-01-06	12.8	Rc1/8	24	21	7.8	6	17	24
ZH05DL-06-01-06	12.8	Rc1/8	24	21	7.8	6	17	24
ZH07DS-06-01-06	12.8	Rc1/8	24	22	7.8	6	17	24
ZH07DL-06-01-06	12.8	Rc1/8	24	22	7.8	6	17	24
ZH10DS-06-01-08	13.7	Rc1/8	26	24.5	9.6	8	20	28
ZH10DL-06-01-08	13.7	Rc1/8	26	24.5	9.6	8	20	28
ZH13DS-08-02-10	15.3	Rc1/4	28	27	10.7	10	22	30
ZH13DL-08-02-10	15.3	Rc1/4	28	27	10.7	10	22	30

Screw-in connection


Model	A	B	C	D	E	F	φG	H
ZH05DS-01-01-01	73.5	14.2	41.5	29.5	Rc1/8	12	3.2	12
ZH05DL-01-01-01	73.5	14.2	41.5	29.5	Rc1/8	12	3.2	12
ZH07DS-01-01-01	76	14.2	41.5	29.5	Rc1/8	12	3.2	12
ZH07DL-01-01-01	76	14.2	41.5	29.5	Rc1/8	12	3.2	12
ZH10DS-01-01-01	82	17.2	44.5	30.5	Rc1/8	12	4.2	12
ZH10DL-01-01-01	86	17.2	44.5	30.5	Rc1/8	12	4.2	12
ZH13DS-01-02-02	94.5	19.95	54	39	Rc1/8	14	4.2	17
ZH13DL-01-02-02	99.5	19.95	54	39	Rc1/8	14	4.2	17

Model	I	J	K	L	M	N	O	P
ZH05DS-01-01-01	12	Rc1/8	31.5	28.5	7.8	Rc1/8	17	24
ZH05DL-01-01-01	12	Rc1/8	31.5	28.5	7.8	Rc1/8	17	24
ZH07DS-01-01-01	12	Rc1/8	31.5	29.5	7.8	Rc1/8	17	24
ZH07DL-01-01-01	12	Rc1/8	31.5	29.5	7.8	Rc1/8	17	24
ZH10DS-01-01-01	14	Rc1/8	33.5	33	9.6	Rc1/8	20	28
ZH10DL-01-01-01	14	Rc1/8	33.5	33	9.6	Rc1/8	20	28
ZH13DS-01-02-02	17	Rc1/4	36.5	38.5	10.7	Rc1/4	22	30
ZH13DL-01-02-02	17	Rc1/4	36.5	38.5	10.7	Rc1/4	22	30